

Everhub Portable Server



Inflight Dublin's next generation portable wireless server is DO-160G certified, making it the safest and most reliable portable server in the airline market. The server can be operated by battery power or aircraft power, and delivers secure high definition browser-based DRM content to 75 passengers per unit. The Everhub™ portable server minimises operational costs through its hot-swappable battery configuration and remote loading of content.



Wireless streaming using the Everhub server:

- Preloaded with Everhub™ software for inflight entertainment and ancillary services
- Supports secure Digital Rights Management (DRM) content streamed to browsers (no app necessary)
- Enables whole aircraft connectivity
- Available as a standalone portable box using batteries or hybrid (aircraft-powered) option
- Hot swappable batteries: Change battery without powering off the server
- Crew control via touch screen or wireless connection

Technical Features:

- 4.3in LCD touchscreen interface
- 2 x 96Wh batteries giving up to 14 hours operation
- Removable content hard drive (1TB - 3TB) - instant content updates with simple hard drive swap
- D-Link WAP streaming on 2.4 GHz & 5.0 GHz
- 3G/4G/LTE SIM for daily data transfer
- Passive-cooled processor with Ubuntu 20.04.2 LTS
- Dimensions: 267mm width x 205mm depth x 160mm height (10.5in x 8.1in x 6.3in)
- Weight: 3.4kg

Outline Dimensions

Fig. 1 - Unit Front

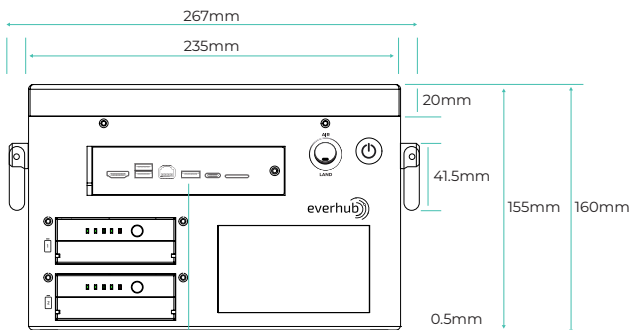


Fig. 2 - Unit Side

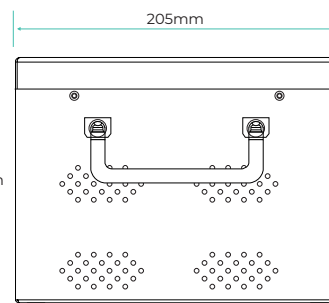
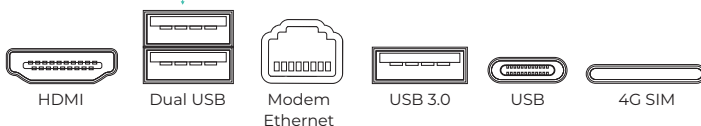
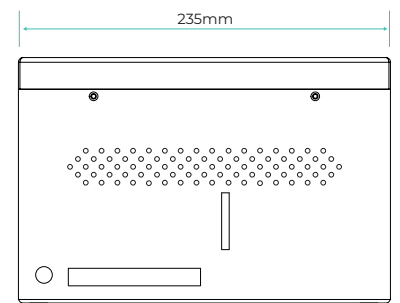


Fig. 3 - Unit Rear



For further information on all our services please contact us at:
mail@inflightdublin.com | inflightdublin.com | [in](#) | [t](#)



Everhub Portable Server



Everhub Portable Server Specifications

Mechanical Specifications

Server weight: 3.4kg - Battery weight: 0.56kg (each)

Dimensions: 267mm width x 205mm depth x 164mm height
(10.5in x 8.1in x 6.3in)

Materials: Sheet metal housing with plastic WAP cover

Mounting: Base plate available

Cooling: No external cooling required. Passive cooling Processor

Electrical Specifications

Power Input: 24V DC (rated at max 4 amps) for charging or hybrid mode
Battery: 96Wh (Intelligent power supply: one battery in use at a time)

256GB internal storage and 1TB -3TB removable SSD content storage

System memory: 8GB RAM

Other Inputs: One USB 3.0 connector, two USB 2.0 connectors, one USB-C, Bluetooth module, ADS-B receiver module, 3G/4G/LTE Network module (SIM card required)

Other Outputs: WAP supporting 2.4 GHz and 5.0 GHz, HDMI connector, Bluetooth module, 3G/4G/LTE Network module (SIM card required)

Ports Available: HDMI port, Industrial Ethernet LAN port (RJ-45)

USB for data upload or external device connection

Internal Protection: Fuse for short circuit condition and thermal switch for overheat condition

Wi-Fi Frequency: 2.4 GHz (802.11b, 802.11g, and 802.11n) and 5.0 GHz (802.11a, 802.11n, and 802.11ac) bands

Wi-Fi Data rate: 400 Mbps (256-QAM) over 2.4 GHz, 900 Mbps over the 5.0 GHz

Wi-Fi EIRP: < 20 dBm (100 mW)

Certification

Server and batteries certified under DO-160G

Battery: UL2054, IEC62133, UN38.3, CE and FCC

T-PED testing not required (subject to aircraft operator using CAT.GEN.MPA,140)

EASA /FAA approved minor modification, including installation kit with Form 1, for Hybrid option

For further information on all our services please contact us at:

mail@inflightdublin.com | inflightdublin.com |